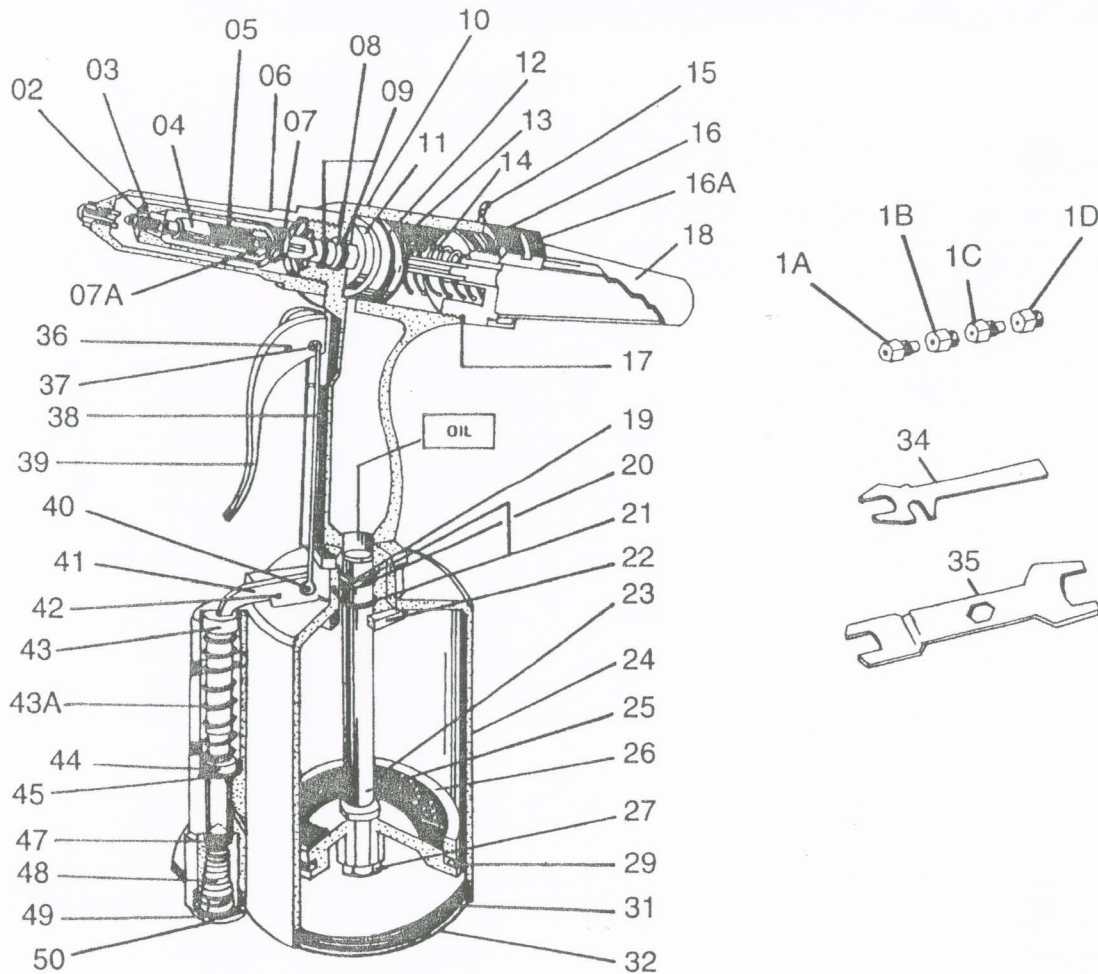


JET

EQUIPMENT & TOOLS

OWNER'S MANUAL

JSG-0810 Air Riveter



Adding Hydraulic Oil

1. Disconnect the tool from the air supply.
2. Hold the tool upside down.
3. Use the spanner wrench (35) to unscrew the cylinder cap (32).
4. Pull on the lock nut (27) with a pair of pliers to pull the air piston assembly (26) out of the air cylinder (24). Add 10 WT hydraulic oil to the cylinder neck until it flows over, approximately 10 drops of fluid.
5. Lightly lubricate the inside wall of the cylinder, and reinstall the air piston assembly (26).
6. Tighten the cylinder cap (32).

JET EQUIPMENT & TOOLS, INC.

A WMH Company
www.jettools.com

P.O. BOX 1349
Auburn, WA 98071-1349
e-mail jet@jettools.com

Phone: 253-351-6000
Fax: 1-800-274-6840
M-JSG-0810 11/01