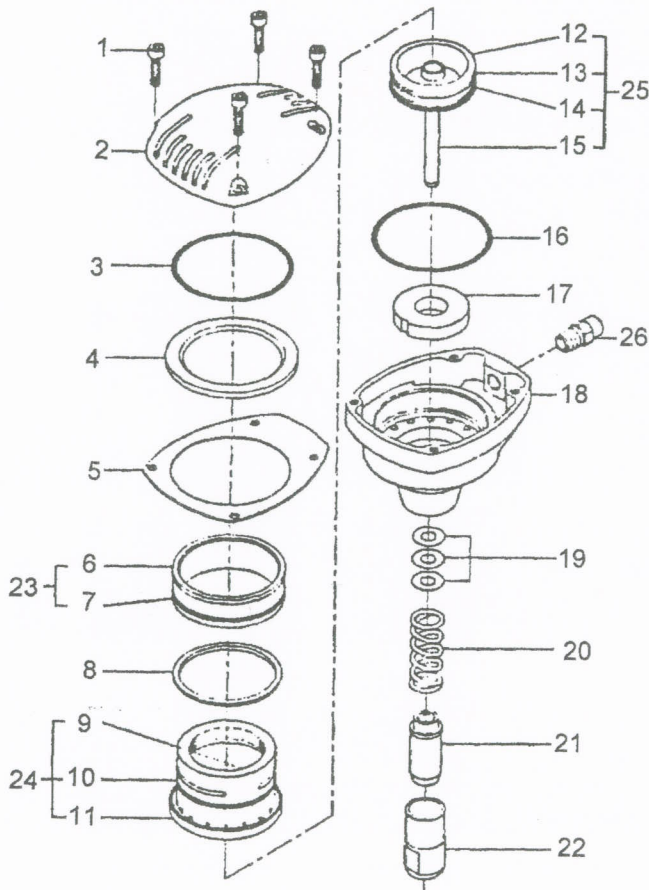




# JSG-0125 Palm Nailer



Index No.	Part No.	Description	Qty.
1	643-01	Screw	4
2	643-02	Cover	1
3	643-03	O-Ring	1
4	643-04	Valve Packing	1
5	643-05	Gasket	1
6	643-06	Valve	1
7	643-07	O-Ring	1
8	643-08	Rubber Ring	1
9	643-09	Cylinder Cover	1
10	643-10	O-Ring	1
11	643-11	Cylinder	1
12	643-12	O-Ring	1
13	643-13	O-Ring	1
14	643-14	Piston	1
15	643-15	Piston Rod	1
16	643-16	O-Ring	1
17	643-17	Damping Rubber	1
18	643-18	Body	1
19	643-19	Lock Washer	1
20	643-20	Spring	1
21	643-21A	Guide Bushing 21/64"	1
	643-21B	Guide Bushing 27/64"	1
22	643-22	Guide Box	1
23	643-23	Valve Assembly	1
24	643-24	Cylinder Assembly	1
25	643-25	Piston Assembly	1
26	643-26	Air Inlet	1

### Air Pressure

The palm nailer requires a minimum air pressure of 50 PSI. Maximum air pressure is 125 PSI. Various nail sizes require different air pressure. For best results, use the following as a guide:

6d through 8d	50 to 80 PSI
8d through 12d	80 to 100 PSI
12d through 30d	100 to 115 PSI
30d through 50d	115 to 125 PSI

### Caution!

Operation above 125 PSI will cause internal damage.

**RPK-0125 Repair Kit:** Contains part #643-05, 643-07, 643-10, 643-12, 643-13, 643-16, 643-20

**RBK-0125 Rebuild Kit:** Contains part#643-03, 643-08, 643-19, 643-21, 643-23, 643-25