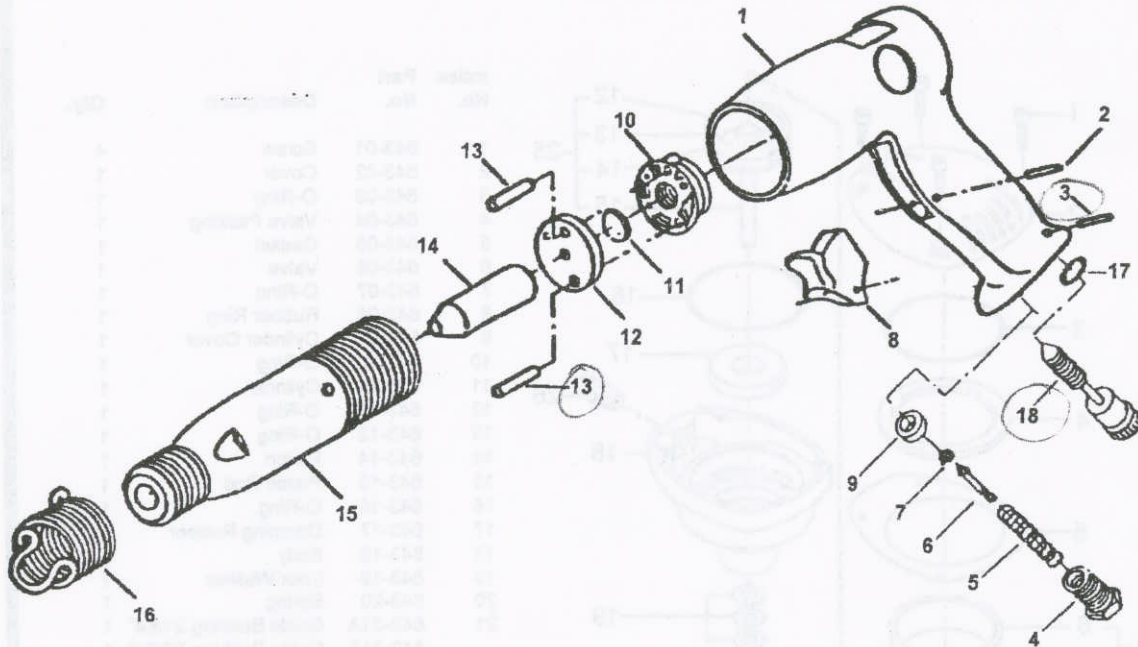


JSG-0101R Air Hammer



REF #	PART #	DESCRIPTION	QTY	REF #	PART #	DESCRIPTION	QTY
1	AH-1A	HANDLE (0101R)	1	10	AH-10	UPPER VALVE CASE	1
2	AH-2	PIN (TRIGGER)	2	11	AH-11	VALVE DISC	1
3	AH-3	PIN (REGULATOR)	1	12	AH-12	LOWER VALVE CASE	1
4	AH-4	HOSE ADAPTER	1	13	AH-13	VALVE PIN (L)	2
5	AH-5	THROTTLE SPRING	1	14	AH-14-1	PISTON (0101R)	1
6	AH-6	VALVE STEM	1	15	AH-15-1	CYLINDER (0101R)	1
7	AH-7	O-RING (2X1.5)	1	16	J0101S	QUICK CHANGE RETAINER	1
8	AH-8	ALUMINUM TRIGGER	1	17	AH-17	O-RING	1
9	AH-9	STEEL BALL SEAT	1	18	AH-18	REGULATOR	1