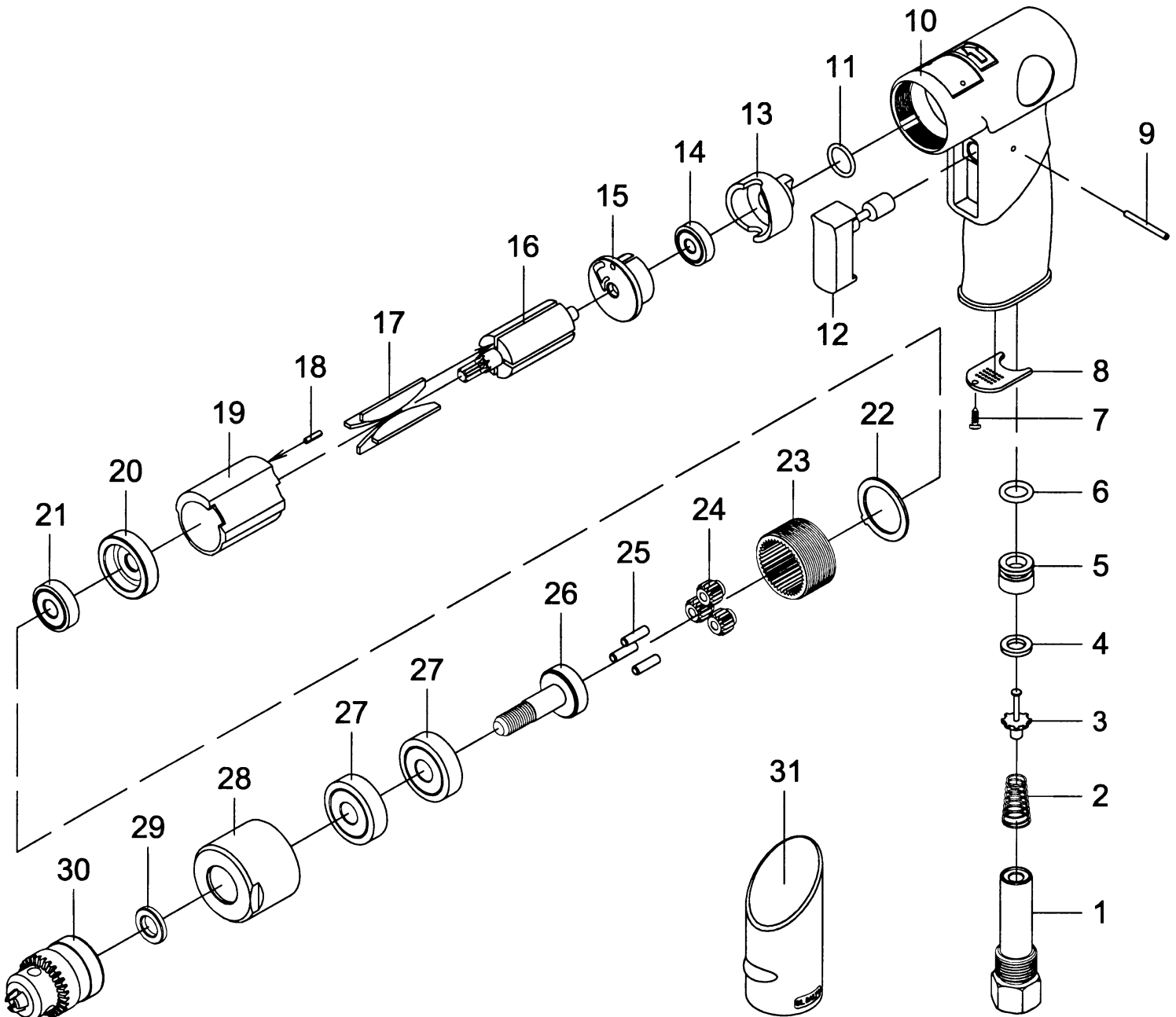


JET

EQUIPMENT & TOOLS

JSM-6005 1/4" Mini Air Drill



JET EQUIPMENT & TOOLS, INC.
A WMH Company
www.jettools.com

P.O. BOX 1349
Auburn, WA 98071-1349
e-mail jet@jettools.com

Phone: 253-351-6000
Fax: 1-800-274-6840
M-JSM-6005 02/01

Parts List for the JSM-6005 1/4" Mini Air Drill

Index No.	Part No.	Description	Size	Quantity
1	73103	Air Inlet		1
2	73108	Spring		1
3	500110	Valve Stem		1
4	73153	Rubber Spacer		1
5	73124	Valve		1
6	60307	O-Ring	9.8x2.4	1
7	40309	Screw	M3x8	1
8	600107	Diffuser		1
9	82202	Pin	2.5x25.8	1
10	600101	Motor Housing		1
11	72831	O-Ring	12.42x1.78	1
12	600104	Trigger		1
13	600106	Air Regulator		1
14	BB-626ZZ	Ball Bearing	626ZZ	1
15	30114	Rear End Plate		1
16	600415	Rotor		1
17	70616	Vanes		4
18	30117	Spring Pin	1.5x6	1
19	30118	Cylinder		1
20	600419	Front End Plate		1
21	BB-608ZZ	Ball Bearing	608ZZ	1
22	600108	Spacer		1
23	600422	Internal Gear		1
24	600423	Planet Gear		3
25	30124	Pin	4x13.8	3
26	600426	Work Spindle		1
27	BB-6200Z	Ball Bearing	6200Z	2
28	600432	Clamp Nut		1
29	70133	Chuck Washer		1
30	10059	Drill Chuck	1/4"	1
31	600110	Rubber Grip		1
32	10059K	Drill Chuck Key*		1

* Signifies item not shown on breakdown

RPK-6001: Repair Kit includes parts 2, 6, 11, 17, 18

RBK-6004: Rebuild Kit includes parts 14, 21, 24, 27