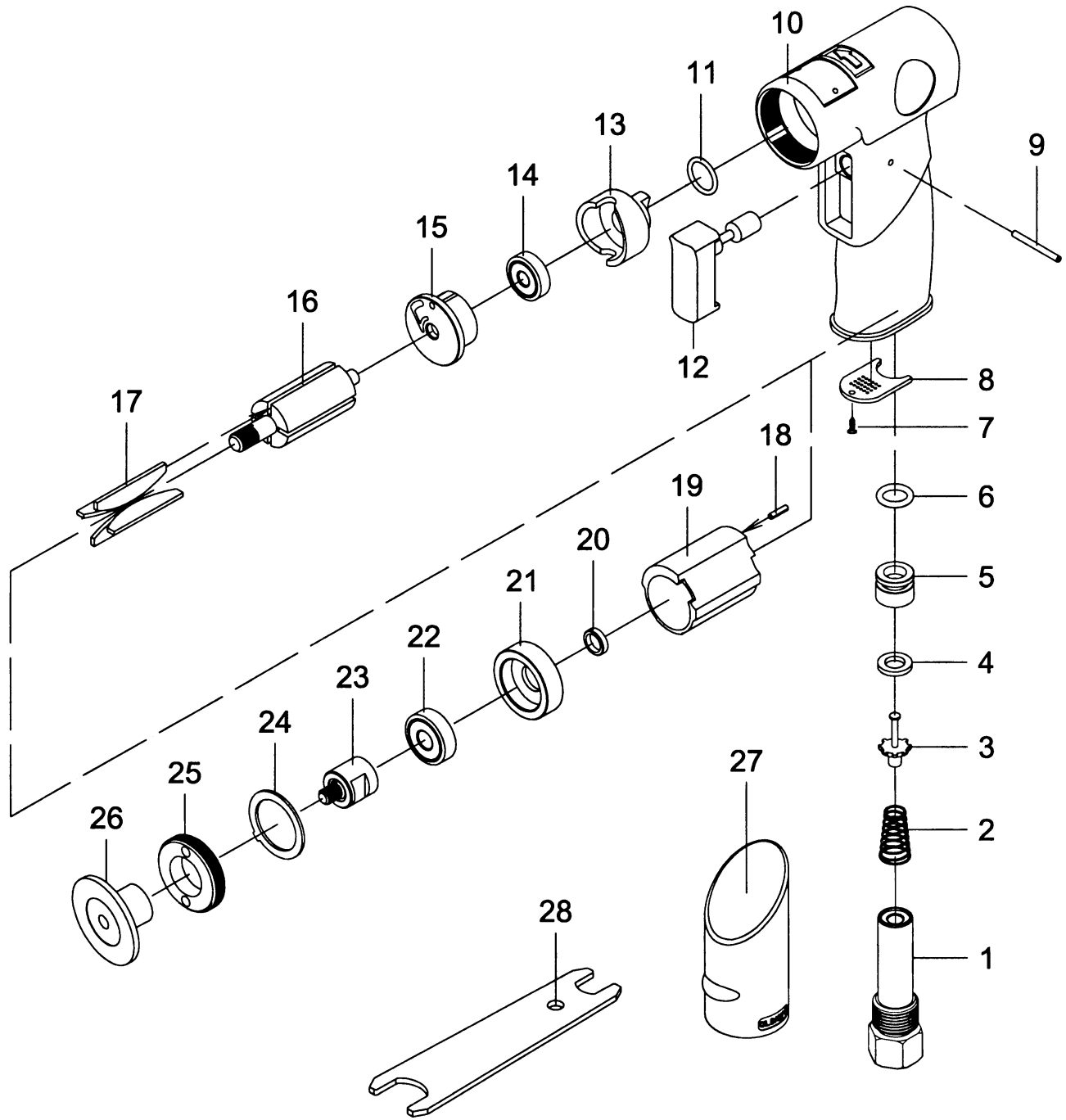


# JET

EQUIPMENT & TOOLS

## JSM-6001 Mini Disc Sander



**JET EQUIPMENT & TOOLS, INC.**  
A WMH Company  
www.jettools.com

P.O. BOX 1349  
Auburn, WA 98071-1349  
e-mail jet@jettools.com

Phone: 253-351-6000  
Fax: 1-800-274-6840  
M-JSM-6001 02/01

## Parts List for the JSM-6001 Mini Disc Sander

Index No.	Part No.	Description	Size	Quantity
1	73103	Air Inlet		1
2	73108	Spring		1
3	500110	Valve Stem		1
4	73153	Rubber Spacer		1
5	73124	Valve		1
6	60307	O-Ring	9.8x2.4	1
7	40309	Screw	M3x8	1
8	600107	Diffuser		1
9	82202	Pin	2.5x25.8	1
10	600101	Motor Housing		1
11	72831	O-Ring	12.42x1.78	1
12	600104	Trigger		1
13	600106	Air Regulator		1
14	BB-626ZZ	Ball Bearing	626ZZ	1
15	30114	Rear End Plate		1
16	600115	Rotor		1
17	70616	Vanes		4
18	30117	Spring Pin	1.5x6	1
19	30118	Cylinder		1
20	61012	Rotor Bushing		1
21	600119	Front End Plate		1
22	BB-608ZZ	Ball Bearing	608ZZ	1
23	600120	Spindle		1
24	600108	Spacer		1
25	600109	Motor Lock Nut		1
26	JSA60012P	2" Sanding Back-up Pad	2"	1
	JSA60013P	3" Sanding Back-up Pad	3"	1
27	600110	Rubber Grip		1
28	52227	Spanner		1

**RPK-6001:** Repair Kit includes parts 2, 6, 11, 17, 18

**RBK-6001:** Rebuild Kit includes parts 14, 22