



# OWNER'S MANUAL

## AFS-500 Air Filtration



**JET**  
WMH Tool Group  
[www.wmhtoolgroup.com](http://www.wmhtoolgroup.com)

P.O. BOX 1349  
Auburn, WA 98071-1349  
e-mail [jet@wmhtoolgroup.com](mailto:jet@wmhtoolgroup.com)

253-351-6000  
Fax 800-274-6840  
**M-708611 4/02**

This manual has been prepared for the owner and operators of a JET Air Filtration System. Its purpose, aside from machine operation, is to promote safety through the use of accepted correct operating and maintenance procedures. Completely read the safety and maintenance instructions before operating or servicing the machine. To obtain maximum life and efficiency from your Air Filter, and to aid in using the machine safely, read this manual thoroughly and follow instructions carefully.

## **Warranty & Service**

The WMH Tool Group warrants every product it sells. If one of our tools needs service or repair, one of our Authorized Repair Stations located throughout the United States can give you quick service.

In most cases, any one of these WMH Tool Group Repair Stations can authorize warranty repair, assist you in obtaining parts, or perform routine maintenance and major repair on your JET, Performax, Wilton, or Powermatic tools.

For the name of an Authorized Repair Station in your area, please call 1-800-274-6848, or visit [www.wmhtoolgroup.com](http://www.wmhtoolgroup.com)

## **More Information**

Remember, the WMH Tool Group is consistently adding new products to the line. For complete, up-to-date product information, check with your local WMH Tool Group distributor, or visit [www.wmhtoolgroup.com](http://www.wmhtoolgroup.com)

## **WMH Tool Group Warranty**

The WMH Tool Group (including Performax, Wilton and Powermatic brands) makes every effort to assure that its products meet high quality and durability standards and warrants to the original retail consumer/purchaser of our products that each product be free from defects in materials and workmanship as follow: 1 YEAR LIMITED WARRANTY ON ALL PRODUCTS UNLESS SPECIFIED OTHERWISE.

This Warranty does not apply to defects due directly or indirectly to misuse, abuse, negligence or accidents, normal wear-and-tear, repair or alterations outside our facilities, or to a lack of maintenance.

THE WMH TOOL GROUP LIMITS ALL IMPLIED WARRANTIES TO THE PERIOD SPECIFIED ABOVE, FROM THE DATE THE PRODUCT WAS PURCHASED AT RETAIL. EXCEPT AS STATED HEREIN, ANY IMPLIED WARRANTIES OR MERCHANTABILITY AND FITNESS ARE EXCLUDED. SOME STATES DO NOT ALLOW LIMITATIONS ON HOW LONG THE IMPLIED WARRANTY LASTS, SO THE ABOVE LIMITATION MAY NOT APPLY TO YOU. THE WMH TOOL GROUP SHALL IN NO EVENT BE LIABLE FOR DEATH, INJURIES TO PERSONS OR PROPERTY, OR FOR INCIDENTAL, CONTINGENT, SPECIAL, OR CONSEQUENTIAL DAMAGES ARISING FROM THE USE OF OUR PRODUCTS. SOME STATES DO NOT ALLOW THE EXCLUSION OR LIMITATION OF INCIDENTAL OR CONSEQUENTIAL DAMAGES, SO THE ABOVE LIMITATION OR EXCLUSION MAY NOT APPLY TO YOU.

To take advantage of this warranty, the product or part must be returned for examination, postage prepaid, to an Authorized Repair Station designated by our office. Proof of purchase date and an explanation of the complaint must accompany the merchandise. If our inspection discloses a defect, we will either repair or replace the product, or refund the purchase price if we cannot readily and quickly provide a repair or replacement, if you are willing to accept a refund. We will return repaired product or replacement at JET'S expense, but if it is determined there is no defect, or that the defect resulted from causes not within the scope of JET'S warranty, then the user must bear the cost of storing and returning the product. This warranty gives you specific legal rights; you may also have other rights which vary from state to state.

The WMH Tool Group sells through distributors only. Members of the WMH Tool Group reserve the right to effect at any time, without prior notice, those alterations to parts, fittings, and accessory equipment which they may deem necessary for any reason whatsoever.

## **WARNING**

1. **FOR YOUR OWN SAFETY, READ INSTRUCTION MANUAL BEFORE OPERATING THE TOOL.** Learn the tool's application and limitations as well as the specific hazards peculiar to it.
2. **KEEP GUARDS IN PLACE** and in working order.
3. **ALWAYS WEAR EYE PROTECTION.**
4. **GROUND ALL TOOLS.** If tool is equipped with three prong plug, it should be plugged into a three-hole electrical receptacle. If an adapter is used to accommodate a two prong receptacle, the adapter lug must be attached to a known ground. Never remove the third prong.
5. **KEEP WORK AREA CLEAN.** Cluttered areas and benches invite accidents.
6. **DON'T USE IN DANGEROUS ENVIRONMENT.** Don't use power tools in damp or wet locations, or expose them to rain. Keep work area well-lighted.
7. **KEEP CHILDREN AND VISITORS AWAY.** All children and visitors should be kept a safe distance from work area.
8. **MAKE WORKSHOP CHILDPROOF.** Use padlocks, master switches, or remove starter keys.
9. **DON'T FORCE TOOL.** It will do the job better and be safer at the rate for which it was designed.
10. **USE RIGHT TOOL.** Don't force tool or attachment to do a job for which it was not designed.
11. **WEAR PROPER APPAREL.** No loose clothing, gloves, neckties, rings, bracelets, or other jewelry to get caught in moving parts. Nonslip footwear is recommended. Wear protective hair covering to contain long hair.
12. **ALWAYS USE SAFETY GLASSES.** Wear safety glasses (must comply with ANSI Z87.1). Everyday eyeglasses only have impact resistant lenses; they are not safety glasses. Also use face or dust mask if cutting operation is dusty.
13. **SECURE WORK.** Use clamps or a vise to hold work when practical. It's safer than using your hands and frees both hands to operate tool.
14. **DON'T OVERREACH.** Keep proper footing and balance at all times.
15. **MAINTAIN TOOLS IN TOP CONDITION.** Keep tools sharp and clean for best and safest performance. Follow instructions for lubricating and changing accessories.
16. **DISCONNECT TOOLS** before servicing and when filters.
17. **USE RECOMMENDED ACCESSORIES.** The use of accessories and attachments not recommended by manufacturer may cause hazards or risk of injury to persons.
18. **AVOID ACCIDENTAL STARTING.** Make sure switch is in "OFF" position before plugging in power cord.
19. **NEVER STAND ON TOOL.** Serious injury could occur if the tool is tipped or if the fan blade is accidentally contacted.
20. **CHECK DAMAGED PARTS.** Before further use of the tool, a guard or other part that is damaged should be carefully checked to ensure that it will operate properly and perform its intended function-check for alignment of moving parts, binding of moving parts, breakage of parts, mounting, and any other conditions that may affect its operation. A guard or other part that is damaged should be properly repaired or replaced.
21. **NEVER LEAVE TOOL RUNNING UNATTENDED. TURN POWER OFF.** Don't leave tool until it comes to a complete stop.
22. **DRUGS, ALCOHOL, MEDICATION.** Do not operate tool while under the influence of drugs, alcohol or any medication.
23. **MAKE SURE TOOL IS DISCONNECTED FROM POWER SUPPLY** while motor is being mounted, connected or reconnected.
24. **WARNING:** Some dust created by power sanding, sawing, grinding, drilling and other construction activities contains chemicals known to cause cancer, birth defects or other reproductive harm. Some examples of these chemicals are:
  - Lead from lead based paint
  - crystalline silica from bricks and cement and other masonry products, and
  - arsenic and chromium from chemically-treated lumber.
25. Your risk from those exposures varies, depending on how often you do this type of work. To reduce your exposure to these chemicals: work in a well ventilated area, and work with approved safety equipment, such as those dust masks that are specifically designed to filter out microscopic particles

## Electrical Requirements

In the event of a malfunction or breakdown, grounding provides a path of least resistance for electric current to reduce the risk of electric shock. This tool is equipped with an electric cord having an equipment-grounding conductor and a grounding plug. The plug must be plugged into a matching outlet that is properly installed and grounded in accordance with all local codes and ordinances.

Do not modify the plug provided. If it will not fit the outlet, have the proper outlet installed by a qualified electrician.

Improper connection of the equipment-grounding conductor can result in a risk of electric shock. The conductor, with insulation having an outer surface that is green with or without yellow stripes, is the equipment-grounding conductor. If repair or replacement of the electric cord or plug is necessary, do not connect the equipment-grounding conductor to a live terminal.

Check with a qualified electrician or service personnel if the grounding instructions are not completely understood, or if in doubt as to whether the tool is properly grounded.

Use only three wire extension cords that have three-prong grounding plugs and three-pole receptacles that accept the tool's plug.\*

Repair or replace a damaged or worn cord immediately.

This tool is intended for use on a circuit that has an outlet that looks the one illustrated in Figure A below. The tool has a grounding plug that looks like the grounding plug as illustrated in Figure A below. A temporary adapter, which looks like the adapter as illustrated in Figures B below, may be used to connect this plug to a two-pole receptacle, as shown in Figure B if a properly grounded outlet is not available.\*\* The temporary adapter should only be used until a properly grounded outlet can be installed by a qualified electrician. The green colored rigid ear or tab, extending from the adapter, must be connected to a permanent ground such as a properly grounded outlet box.

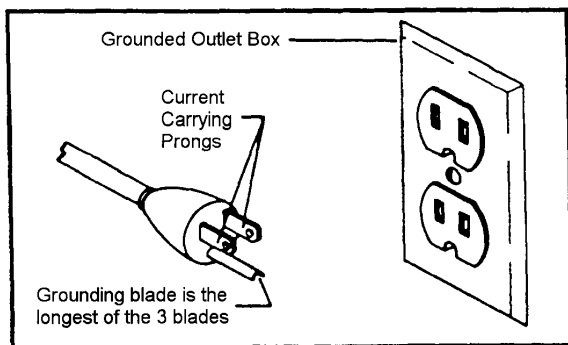


Fig. A

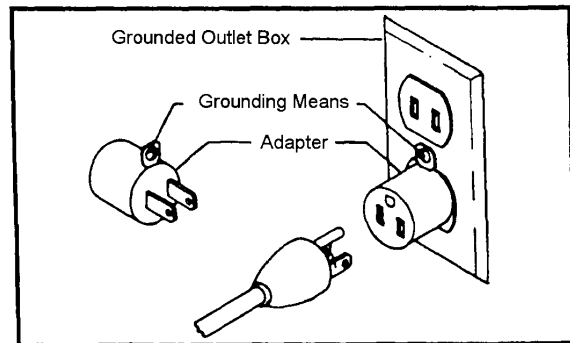


Fig. B

\* Canadian electrical codes require extension cords to be certified SJT type or better.

\*\* Use of an adapter in Canada is not acceptable.

## Specifications

**AFS-500**

Stock Number.....	708611
Outer Filter .....	5 Microns
Inner Filter .....	1 Micron
Overall Dimensions (LxWxH/in).....	15-1/4 x 24-1/8 x 12-1/8
Sound Rating @ 3ft .....	High Speed 61 dB
.....	Medium Speed 59 dB
.....	Low Speed 57 dB
Air Flow .....	High Speed 440 CFM
.....	Medium Speed 333 CFM
.....	Low Speed 283 CFM
Motor.....	1/12 HP, 115V, 60Hz, 1 Ph, 4P
Net Weight.....	33 lbs.
Shipping Weight.....	39 lbs.

## Table of Contents

**Page**

Warranty.....	2
Warnings .....	3
Electrical Requirements .....	4
Specifications .....	5
Table of Contents .....	5
For Your Own Safety .....	5
Contents of Shipping Carton .....	6
Assembly.....	6
Controls and Features .....	6
Changing Filters.....	7
Replacement Filters.....	7
Breakdown .....	8
Parts List .....	9

## FOR YOUR OWN SAFETY

1. Read and understand instruction manual before installing or operating air cleaner.
2. To reduce the risk of injury disconnect the air cleaner from the power source (unplug) before servicing or changing filters.
3. To reduce the risk of electrical shock, do not expose air cleaner to water or rain.
4. Never duct a machine directly into the air cleaner.
5. To avoid a potentially dangerous situation, do not use this equipment to filter volatile fumes or smoke. This air cleaner is designed and intended for the filtration of air borne wood dust only. It is neither designed or intended for any other purpose whatsoever.
6. Failure to comply may result in serious injury and / or property damage.

The specifications in this manual are given as general information and are not binding. WMH Tool Group reserves the right to effect, at any time and without prior notice, changes or alterations to parts, fittings, and accessory equipment deemed necessary for any reason whatsoever.

## Contents of Shipping Carton

1. Air Filtration Unit
8. Foam Pads
1. Manual
1. Warranty Card
1. Inner Filter
1. Outer Filter

- The air filtration unit does not require much assembly. You should take into consideration how and where you will place this unit.
- It can be used on a bench horizontally, or vertically.
- This unit will work best if it is located away from corners, and heating/cooling vents.
- If using on sawhorses the air filtration unit should be clamped in place.
- This unit is specifically designed to circulate and filter non-metallic dust, which is generated throughout the work area.



Fig. 1



Fig. 2

## Assembly

1. **Remove all packing from inside of the unit by removing the outer and inner filters.**
2. Peel off the paper backing, on the foam pads (A, Fig. 1), and stick to the bottom side of the unit's four corners. There are four extra pads for mounting on the side for use in the vertical position.
3. The handle (B, Fig. 1) can be moved from the top of the unit to the side if desired. Remove two screws that hold the handle in place and mount the handle where the two screws (C, Fig. 1) in the side of the unit are located.

## Controls and Features

1. Low-Medium-High buttons (D, Fig. 2) control the three different speed settings.
2. Off button (E, Fig. 2) turns the unit off.
3. The exhaust can be directed by moving the vent tab (F, Fig. 2).

## Changing the Filters



### **WARNING**

**To reduce the risk of injury disconnect the air cleaner from the power source (unplug) before servicing or changing filters. Failure to comply may cause serious injury!**

There are two filters that need to be changed. The outer filter (A, Fig. 3) can easily be removed by disengaging the two clips (B, Fig. 3).

Now you can simply pull the filter out. Blow out the filter with air from the backside, or replace.

The inner filter (C, Fig. 3) can now be pulled out of the unit. The inner filter can be blown out with air from the backside, or replaced.

The filters should be replaced depending on the amount of usage and the environment of your shop. Clogged filters will reduce the amount of air circulation. There is an arrow indicating the air flow direction on the filters. Make sure the filter is inserted facing the proper direction.

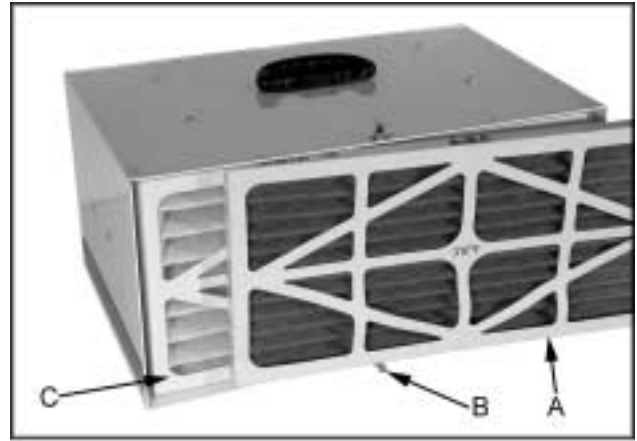


Fig. 3

## Replacement Filters

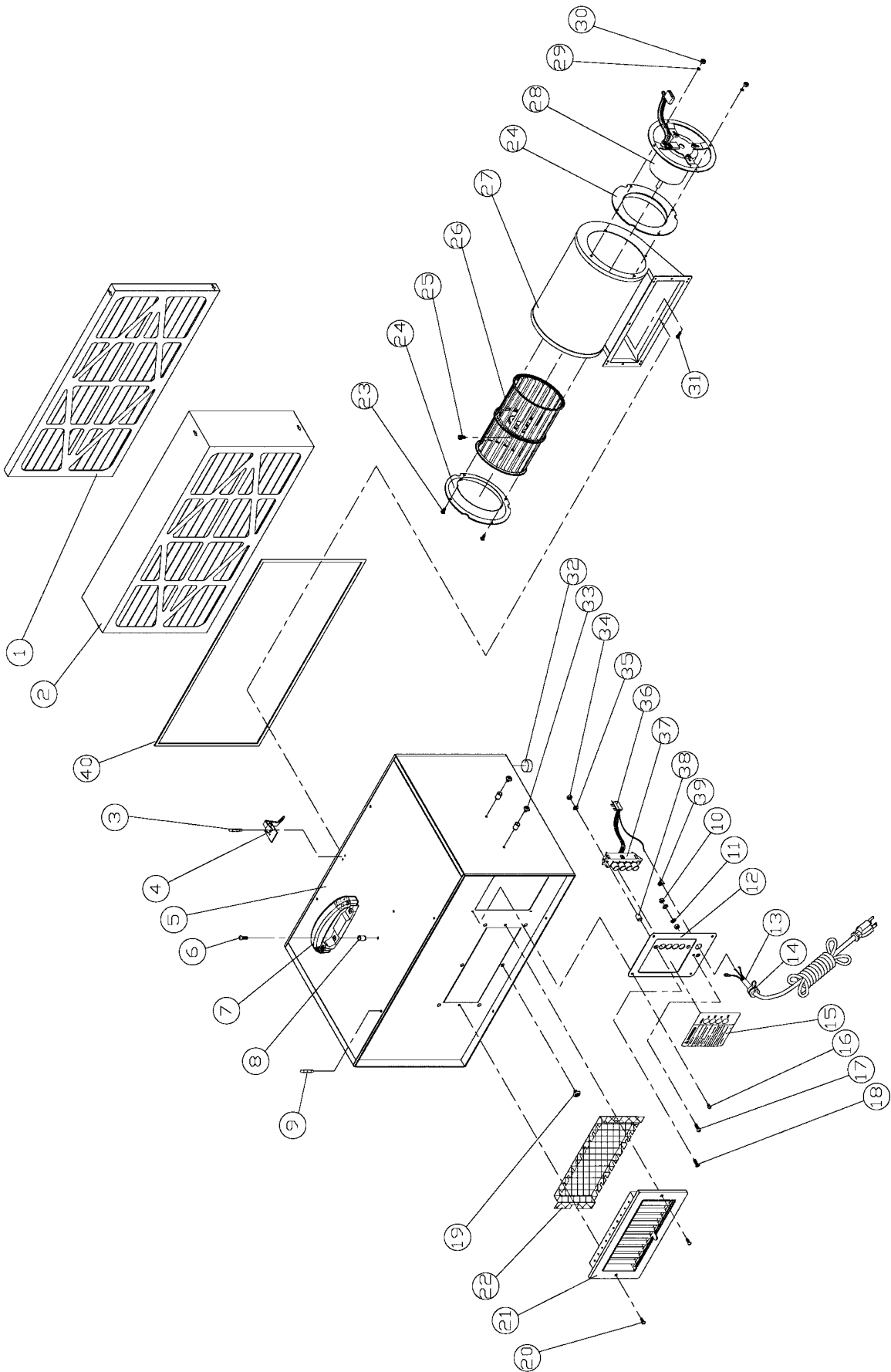
**709737** inner filter

**708731** electrostatic filter

**708734** charcoal filter

**708732** washable electrostatic filter

# Parts Breakdown



## Parts List for the AFS-500 Air Filtration

Index No.	Part No.	Description	Size	Qty.
1	708731	Outer Filter		1
2	709737	Inner Filter		1
3	BT000042	Rivet		4
4	AB001008	Door Clip Set		2
5	AB001113W	Air Box		1
6	SP059300	Pan Head Bolt	M5x12	2
7	OO1063	Handle		1
8	OO1070	Nut	M5	4
9	BR000041	Rivet		8
10	NH050800	Nut	M5	2
11	WE050000	Star Washer	M5	2
12	OO1064W	Switch Plate		1
13	IC001001	Cord	18AWG	1
14	998623	Strain Relief		1
15	LM001001	I.D. Label		1
16	SP049100	Pan Head Bolt	M4x6	4
17	SP059300	Pan Head Bolt	M5x12	1
18	SN040400	Counter Sunk Bolt	M4x20	2
19	SF069200	Pan Head Bolt w/Flange	M6x8	6
20	SP049300	Pan Head Bolt	M4x12	2
21	AB001024	Exhaust Plate Set		1
22	OO1021	Safety Net		1
23	SF049200	Pan Head Bolt w/Flange	M4x8	4
24	OO1015	Air Guide Plate		2
25	SR060200	Hex Socket Bolt	M6x10	1
26	OO1014	Fan Blade		1
27	AB001010	Fan Housing		1
28	AB001019	Motor		1
29	WS040000	Spring Washer	M4	4
30	NH040700	Nut	M4	4
31	SP049300	Pan Head Bolt	M4x12	4
32	330074	Pad		8
33	SF059200	Pan Head Bolt w/Flange	M5x8	2
34	NH040700	Nut	M4	2
35	WF041008	Washer	M4x10	2
36	OO1065	Switch Wire w/Terminal	18AWG	1
37	OO1066	Switch		1
38	OO1069	Sleeve		2
39	990638	Wiring Nut		1
40	OO1068	Gasket		1
	OO1045	Color Stripe (not shown)		1
	LM000280	JET Air Filtration I.D. Label (not shown: side of cabinet)		2
	AFS500-WL	Warning Label		1

### Replacement Filters:

..... 709737	Inner Filter
..... 708731	Electrostatic Filter
..... 708734	Charcoal Filter
..... 708732	Washable Electrostatic Filter

# Wiring Diagram

